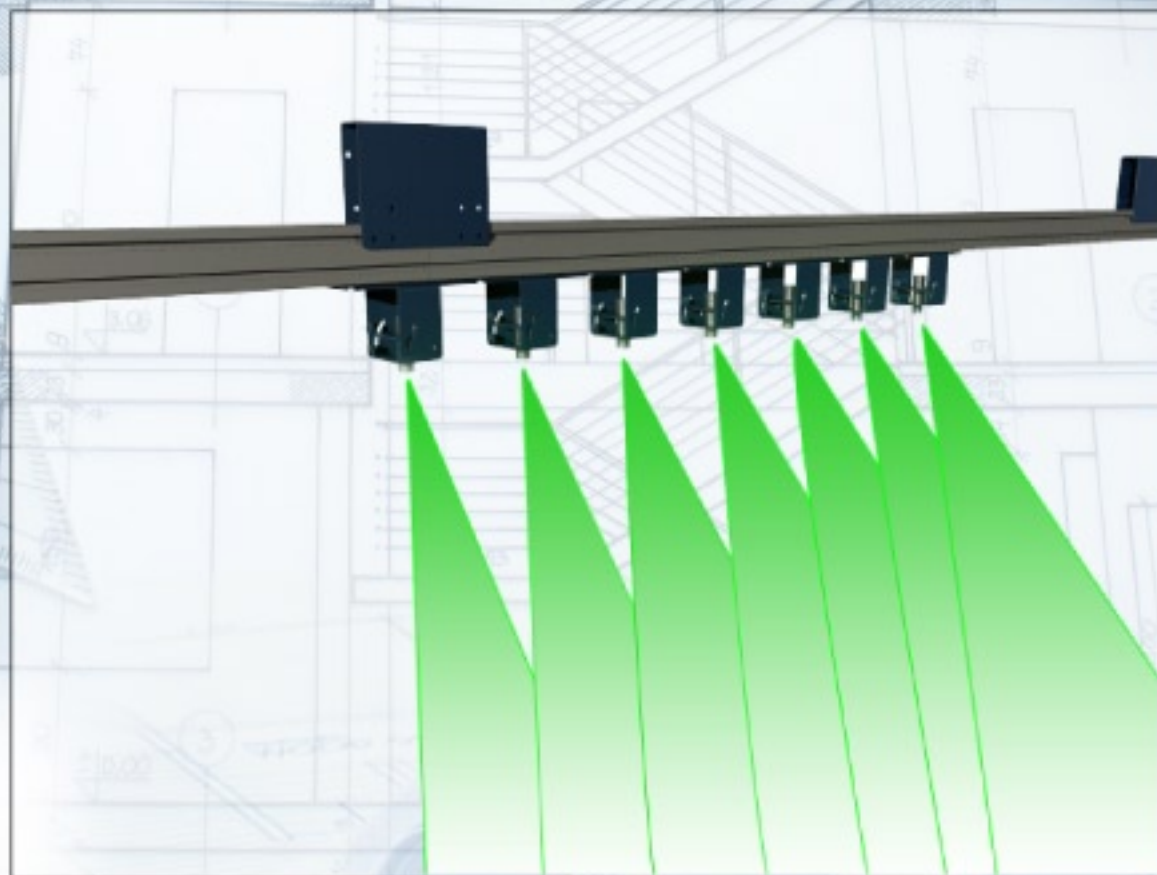


FP INDUSTRIES INC.

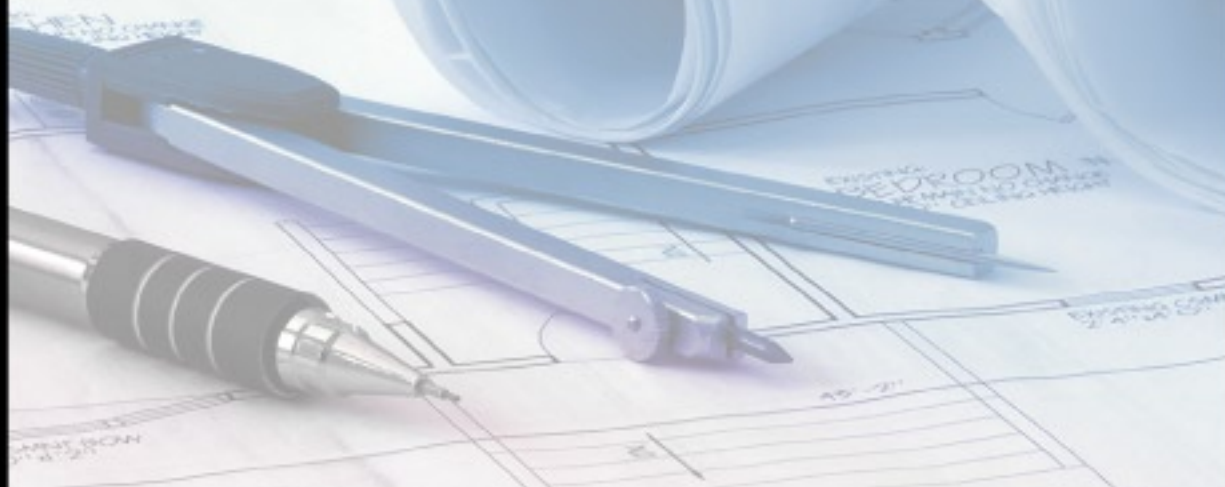
Perfect Alignment every time...

LASER SYSTEM

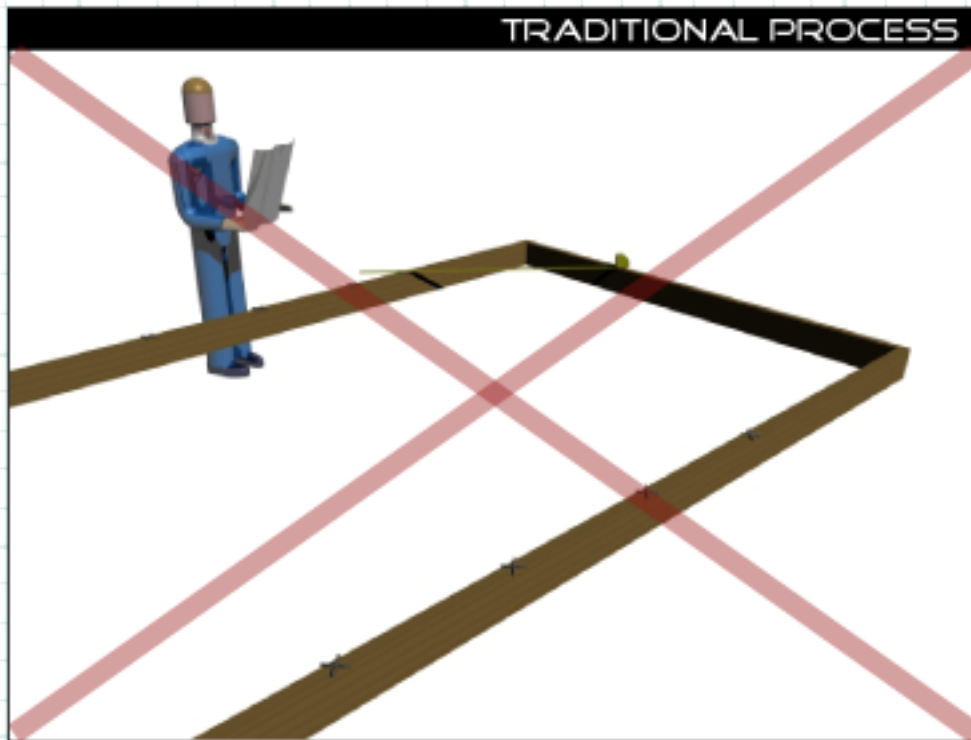
FOR VISUAL MARKING OF
PREFAB STRUCTURES



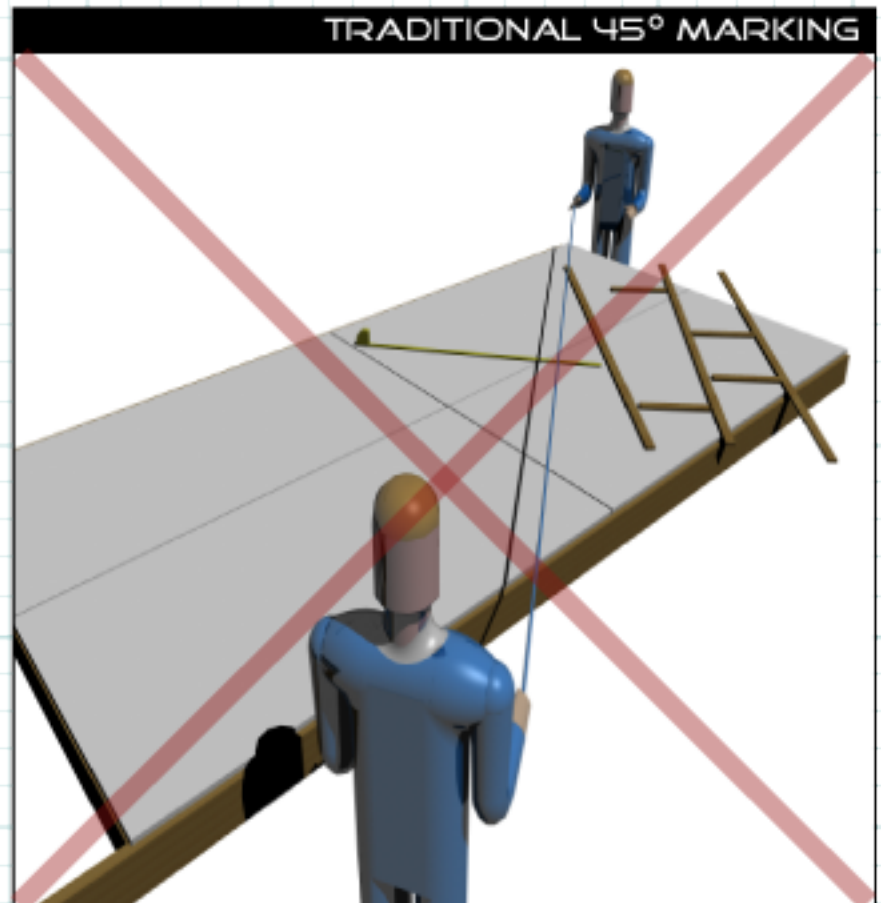
A marking system, using laser technology, to provide visual references, helping in assembling factory built residential and commercial structures. (walls, floors...)



TRADITIONAL PROCESS



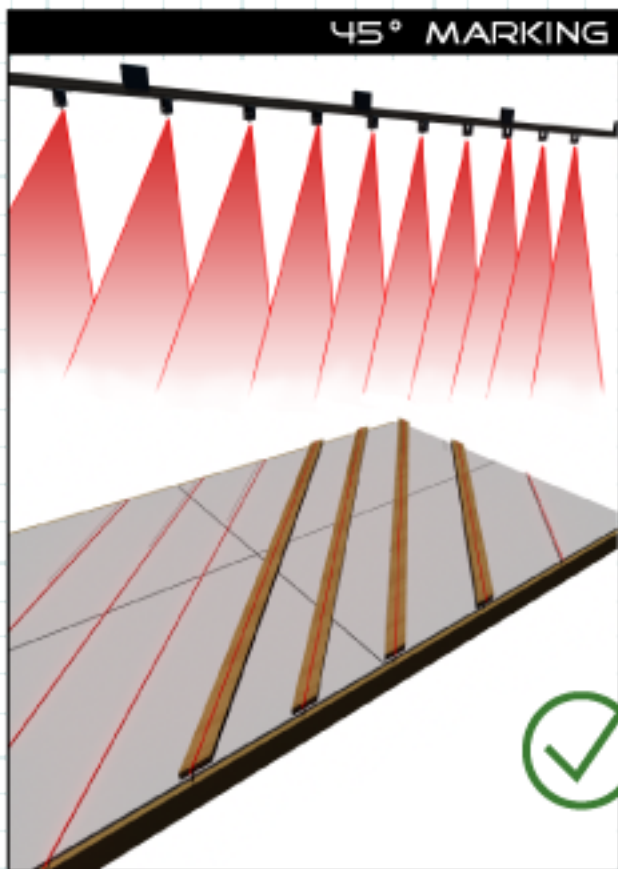
Traditional marking methods are the main reasons for poor productivity. Handling of conventional tools such as chalk lines, squares, measuring tapes, plan readings and jigs can cost you a lot of money in down time and human errors.



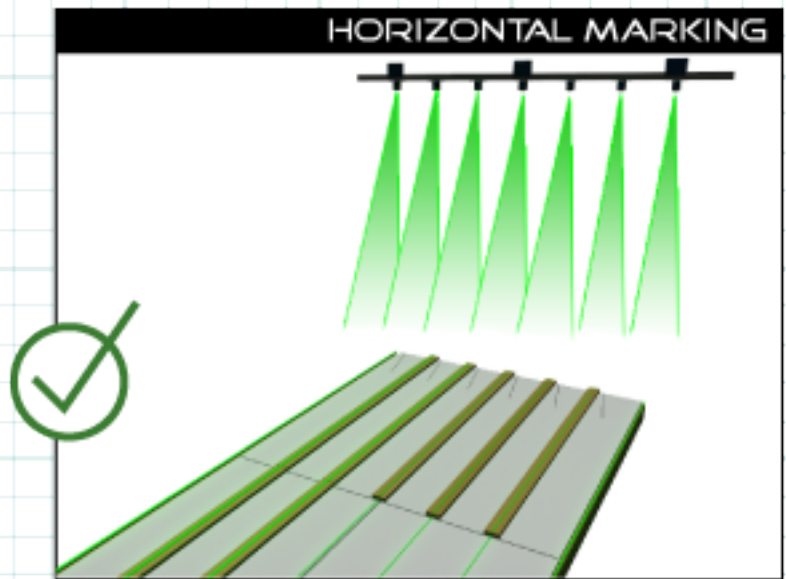
NEW PROCESS WITH OUR LASER MARKING SYSTEM

Our system generates visual references (lines) spaced at either 16 or 24 inches that simplifies the assembling of structures. Ideal for wall lathing, installing studs, positioning of beams and floor nailing or screwing. FP Industries' laser marking system is an easy to install tool that will allow you to:

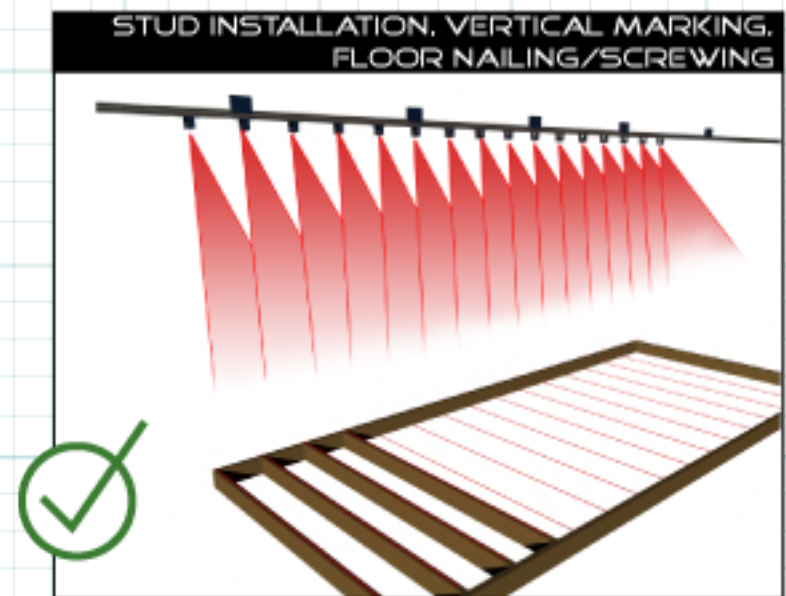
- ° save time and materials;
- ° eliminate human errors;
- ° increase the quality of your product;
- ° decrease production cost.



Lathing at 45° will allow you to get a stronger wall and reduce the amount of studs required. (24" spacing instead of 16")



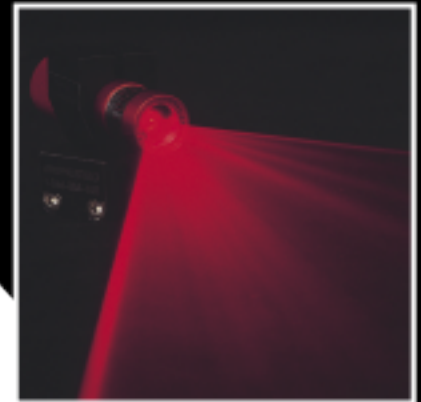
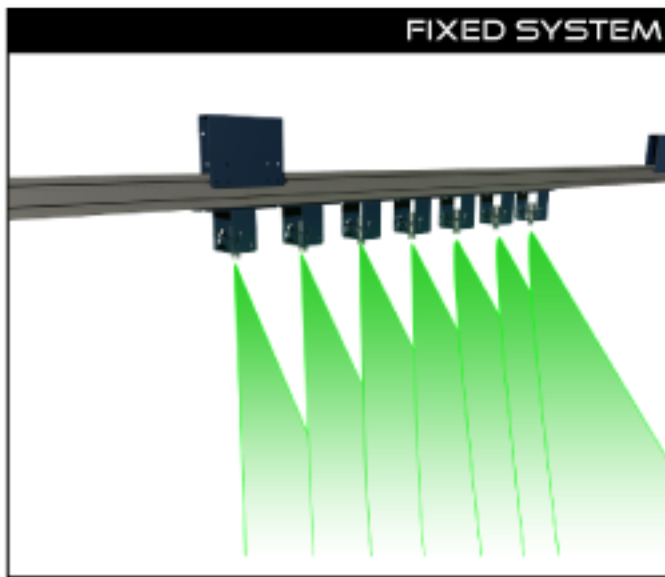
The laser lines generated by our marking system make the conventional tools (tapes, squares, chalk lines) obsolete. Our system allows quick and accurate work.



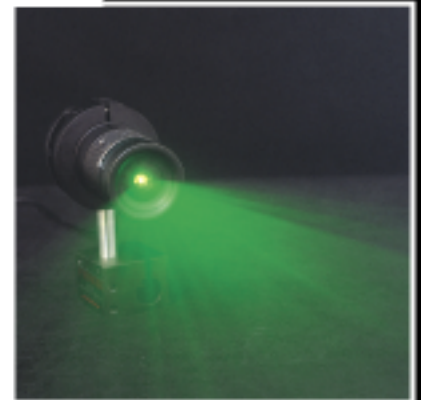
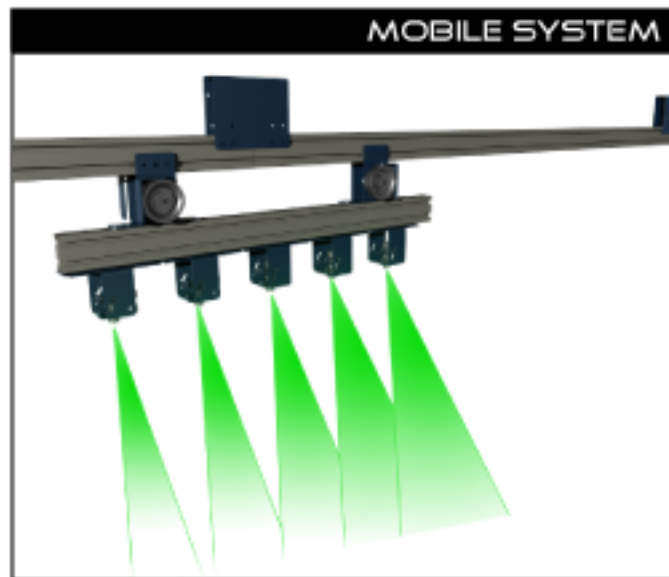
Handling of studs and insulating products is reduced, allowing you to save on fabrication costs.

Our laser system can be built according to the customer's budget and needs. Mobile or fixed, our system can be adapted to your production line. Our system will save you time, money and material. This is the edge that will allow you to become more competitive.

2 TYPES OF LASERS CAN BE INSTALLED ON OUR SYSTEM



- 20 milliwatt red laser
- 45° fan angle
- 2 years warranty
- Ideal for lines up to 14 feet



- 10 milliwatt green laser
- 60° fan angle
- 1 year warranty
- Ideal for lines up to 35 feet

Laser and eyes safety

Laser products manufactured by FP Industries comply with 21 CFR 1040.10 and 1040.11 except for deviations pursuant to Laser Notice No. 50, dated July 28, 2001.

CAUTION - use of controls or adjustments or performance of procedures other than those specified herein may result in hazardous exposure. Always use caution when working with or around lasers and wear appropriate eye protection.

All of our products fall into one of the following classes: **Class II - Caution**
Visible laser light of lower than 1.0 mW. Considered eye-safe, normal exposure to this type of beam will not cause permanent damage to the retina. When exposed to this level of laser light, the blinking reflex of the human eye is fast enough to avoid any damage. A Class II safety rating is considered eye-safe, but can be hazardous if there is direct long-term ocular exposure (>1000 seconds). Any Class II-rated laser product can be installed on the shop floor with a minimum of concern. A warning logotype is affixed to each laser product, according to its class and wavelength.

Class IIIa - Danger
Visible laser light between 1.0 and 5.0 mW. Considered eye-safe with caution, but may present a greater hazard if viewed using collecting optics. Focusing of this light into the eye could cause eye damage. A warning logotype is affixed to each laser product, according to its class and wavelength.

For the user safety and to avoid risks of eye injury, you should position the laser in such a way that the laser beam does not cross the operators working area. Appropriate laser warning signs should be placed in the working area to warn workers and visitors of the presence of lasers.

To receive The Laser Safety Guide, please contact FP Industries or order at the address below:
Laser Institute of America
53501 Ingenuity Drive, Suite 128
Orlando, Florida 32836



DISTRIBUTED BY: