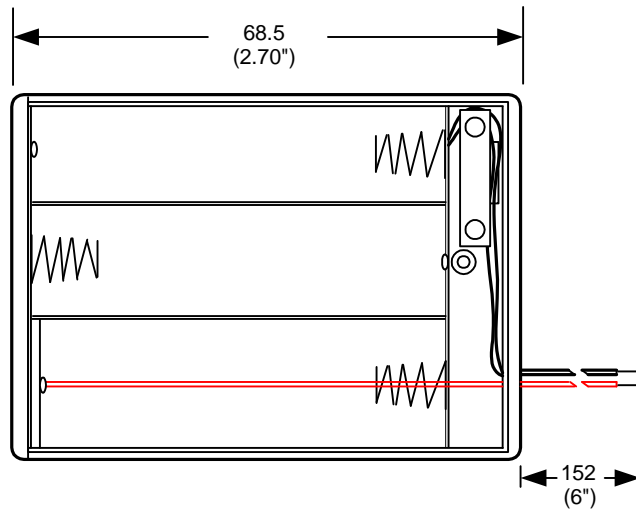
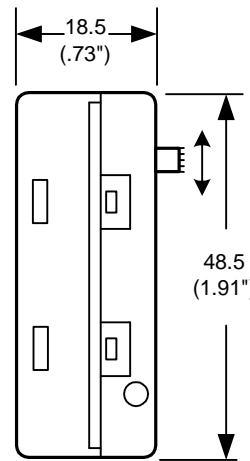


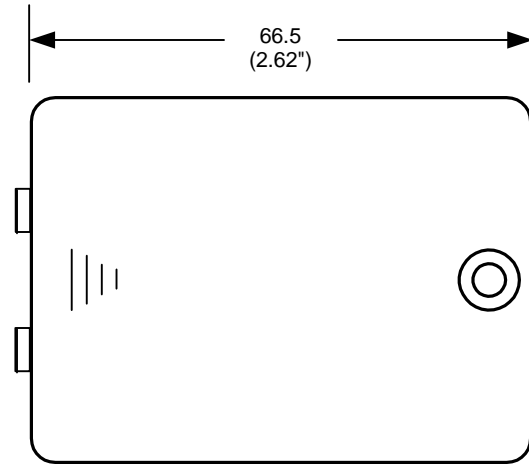
DATE	SYM	REVISION RECORD	AUTH	DR.	CK.
4/22/06	A	ADDED "ROHS COMPLIANT"	T.B.	B.S.	



HOLDER



END VIEW



COVER


SPECIFICATIONS:

ITEM NO. : SBH-331AS

WIRE : UL 1007, #26 AWG
 BLACK & RED : 150 MM ± 5MM
 STRIP & TIN : 5 MM ± 1MM
 MATERIAL: A.B.S. RESIN
 BLACK COLOR
 SPRING : .6 MM 65C SPRING WIRE

DESCR. : FOR THREE "AA" CELLS WITH
 SLIDING SWITCH, COVER & SCREW
 SERIES CONNECTION, 4.5 VOLTS
 ROHS COMPLIANT

Note: Dimensions in mm. (inches)

TOLERANCES (EXCEPT AS NOTED)	 Memory Protection Devices, Inc. 200 Broad Hollow Road, Farmingdale, New York 11735		
DECIMAL + .5 (.020) - .5 (.020)	SCALE	DRAWN BY S.C.	
FRACTIONAL + .8 (.030) - .8 (.030)	APPROVED BY		
ANGULAR + 3° - 3°	DATE 4/22/2006	DRAWING NUMBER SBH-331AS	
TITLE 3 CELL AA HOLDER WITH COVER & SWITCH			